

100-tap Digital Potentiometer (POT)

CAT5113

Description

The CAT5113 is a single digital POT designed as an electronic replacement for mechanical potentiometers. Ideal for automated adjustments on high volume production lines, they are also well suited for applications where equipment requiring periodic adjustment is either difficult to access or located in a hazardous or remote environment.

The CAT5113 contains a 100-tap series resistor array connected between two terminals R_H and R_L . An up/down counter and decoder that are controlled by three input pins, determines which tap is connected to the wiper, R_W . The wiper setting, stored in nonvolatile memory, is not lost when the device is powered down and is automatically reinstated when power is returned. The wiper can be adjusted to test new system values without affecting the stored setting. Wiper-control of the CAT5113 is accomplished with three input control pins, \overline{CS} , U/D , and \overline{INC} . The \overline{INC} input increments the wiper in the direction which is determined by the logic state of the U/D input. The \overline{CS} input is used to select the device and also store the wiper position prior to power down.

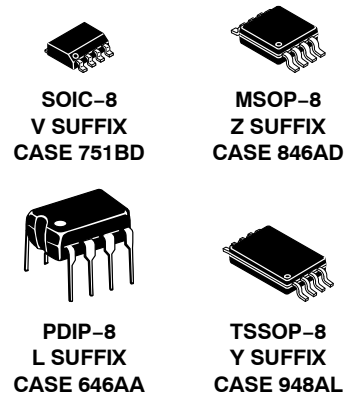
The digital POT can be used as a three-terminal resistive divider or as a two-terminal variable resistor.

Features

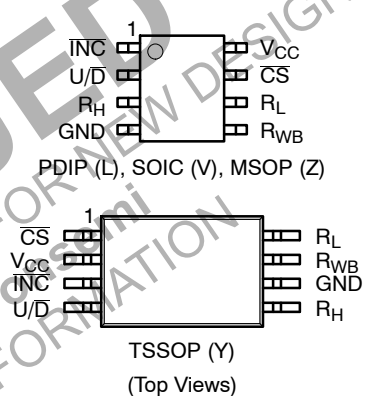
- 100-position Linear Taper Potentiometer
- Non-volatile EEPROM Wiper Storage
- 10 nA Ultra-low Standby Current
- Single Supply Operation: 2.5 V – 6.0 V
- Increment Up/Down Serial Interface
- Resistance Values: 1 k Ω , 10 k Ω , 50 k Ω and 100 k Ω
- Available in PDIP, SOIC, TSSOP and MSOP Packages
- These Devices are Pb-Free, Halogen Free/BFR Free and are RoHS Compliant

Applications

- Automated Product Calibration
- Remote Control Adjustments
- Offset, Gain and Zero Control
- Tamper-proof Calibrations
- Contrast, Brightness and Volume Controls
- Motor Controls and Feedback Systems
- Programmable Analog Functions



PIN CONFIGURATIONS



PIN FUNCTION

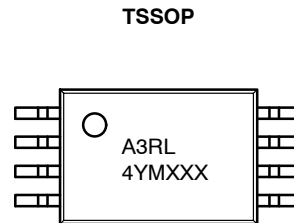
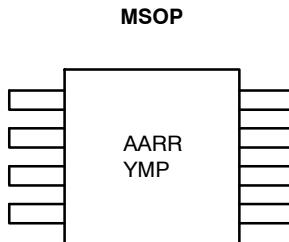
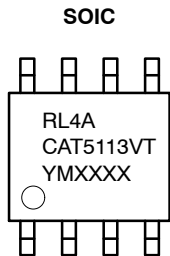
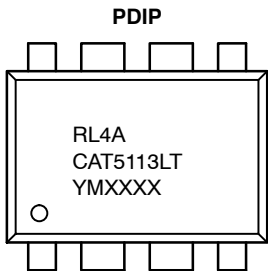
Pin Name	Function
\overline{INC}	Increment Control
U/D	Up/Down Control
R_H	Potentiometer High Terminal
GND	Ground
R_W	Wiper Terminal
R_L	Potentiometer Low Terminal
\overline{CS}	Chip Select
V_{CC}	Supply Voltage

ORDERING INFORMATION

See detailed ordering and shipping information in the package dimensions section on page 9 of this data sheet.

CAT5113

DEVICE MARKING INFORMATION



R = Resistance:

- 0 = 1 k Ω
- 2 = 10 k Ω
- 4 = 50 k Ω
- 5 = 100 k Ω

L = Assembly Location

4 = Lead Finish - NiPdAu

A = Product Revision (Fixed as "A")

CAT5113L = Device Code (PDIP)

CAT5113V = Device Code (SOIC)

T = Temperature Range (Industrial)

Y = Production Year (Last Digit)

M = Production Month (1-9, A, B, C)

XXXX = Last Four Digits of Assembly Lot Number

ABCN = CAT5113ZI-01-T3

AARR = CAT5113ZI-10-T3

AARC = CAT5113ZI-50-T3

AARG = CAT5113ZI-00-T3

Y = Production Year (Last Digit)

M = Production Month (1-9, A, B, C)

P = Product Revision

A3 = Device Code

R = Resistance:

- 0 = 1 k Ω
- 2 = 10 k Ω
- 4 = 50 k Ω
- 5 = 100 k Ω

L = Assembly Location

4 = Lead Finish - NiPdAu

Y = Production Year (Last Digit)

M = Production Month (1-9, A, B, C)

XXX = Last Three Digits of
Assembly Lot Number

DISCONTINUED
THIS DEVICE IS NOT RECOMMENDED FOR NEW DESIGN
PLEASE CONTACT YOUR onsemi
REPRESENTATIVE FOR INFORMATION

Functional Diagram

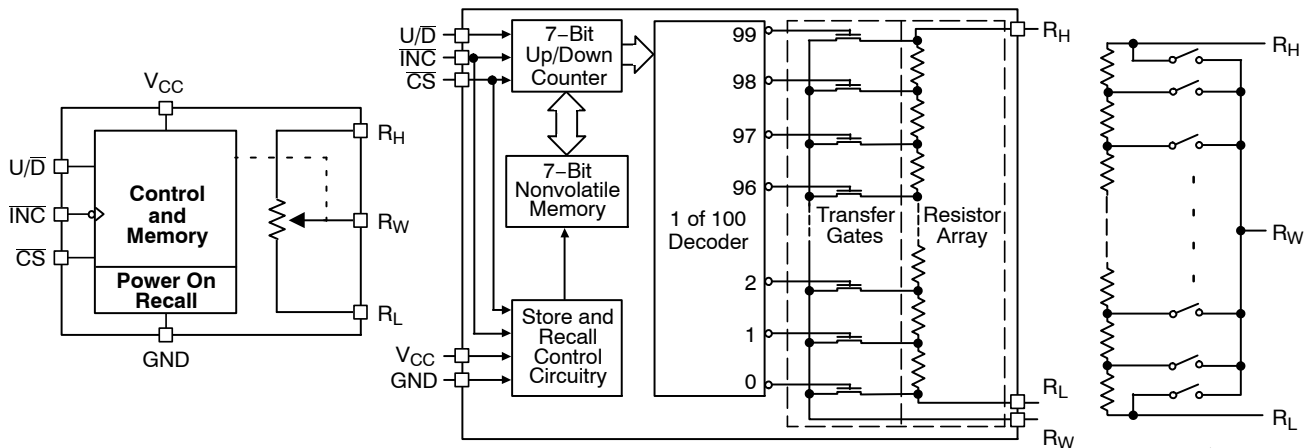


Figure 1. General

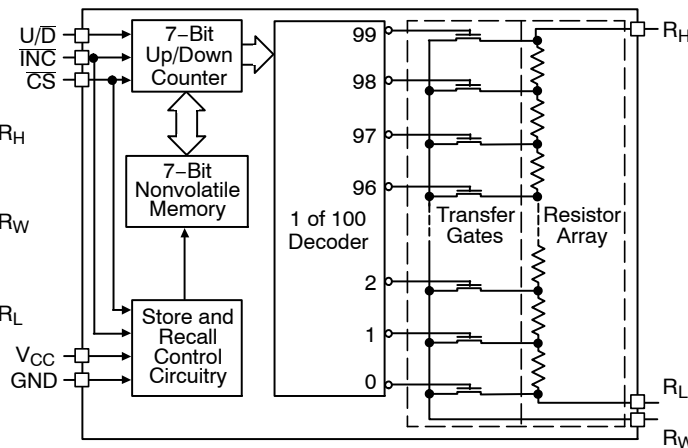
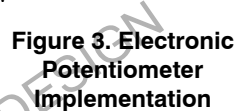


Figure 2. Detailed

Figure 3. Electronic Potentiometer Implementation



Pin Description

INC: Increment Control Input

The INC input moves the wiper in the up or down direction determined by the condition of the U/D input.

U/D: Up/Down Control Input

The U/D input controls the direction of the wiper movement. When in a high state and CS is low, any high-to-low transition on INC will cause the wiper to move one increment toward the RH terminal. When in a low state and CS is low, any high-to-low transition on INC will cause the wiper to move one increment towards the RL terminal.

RH: High End Potentiometer Terminal

RH is the high end terminal of the potentiometer. It is not required that this terminal be connected to a potential greater than the RL terminal. Voltage applied to the RH terminal cannot exceed the supply voltage, VCC or go below ground, GND.

RW: Wiper Potentiometer Terminal

RW is the wiper terminal of the potentiometer. Its position on the resistor array is controlled by the control inputs, INC, U/D and CS. Voltage applied to the RW terminal cannot exceed the supply voltage, VCC or go below ground, GND.

RL: Low End Potentiometer Terminal

RL is the low end terminal of the potentiometer. It is not required that this terminal be connected to a potential less than the RH terminal. Voltage applied to the RL terminal cannot exceed the supply voltage, VCC or go below ground, GND. RL and RH are electrically interchangeable.

CS: Chip Select

The chip select input is used to activate the control input of the CAT5113 and is active low. When in a high state, activity on the INC and U/D inputs will not affect or change the position of the wiper.

Device Operation

The CAT5113 operates like a digitally controlled potentiometer with RH and RL equivalent to the high and low terminals and RW equivalent to the mechanical potentiometer's wiper. There are 100 available tap positions including the resistor end points, RH and RL. There are 99 resistor elements connected in series between the RH and RL terminals. The wiper terminal is connected to one of the 100 taps and controlled by three inputs, INC, U/D and CS. These inputs control a seven-bit up/down counter whose output is decoded to select the wiper position. The selected wiper position can be stored in nonvolatile memory using the INC and CS inputs.

With CS set LOW the CAT5113 is selected and will respond to the U/D and INC inputs. HIGH to LOW transitions on INC will increment or decrement the wiper (depending on the state of the U/D input and seven-bit counter). The wiper, when at either fixed terminal, acts like its mechanical equivalent and does not move beyond the last position. The value of the counter is stored in nonvolatile memory whenever CS transitions HIGH while the INC input is also HIGH. When the CAT5113 is powered-down, the last stored wiper counter position is maintained in the nonvolatile memory. When power is restored, the contents of the memory are recalled and the counter is set to the value stored.

With INC set low, the CAT5113 may be de-selected and powered down without storing the current wiper position in nonvolatile memory. This allows the system to always power up to a preset value stored in nonvolatile memory.

CAT5113

Table 1. OPERATION MODES

INC	CS	U/D	Operation
High to Low	Low	High	Wiper toward H
High to Low	Low	Low	Wiper toward L
High	Low to High	X	Store Wiper Position
Low	Low to High	X	No Store, Return to Standby
X	High	X	Standby

Table 2. ABSOLUTE MAXIMUM RATINGS

Parameters	Ratings	Units
Supply Voltage V_{CC} to GND	-0.5 to +7	V
Inputs CS to GND	-0.5 to $V_{CC} + 0.5$	V
INC to GND	-0.5 to $V_{CC} + 0.5$	V
U/D to GND	-0.5 to $V_{CC} + 0.5$	V
H to GND	-0.5 to $V_{CC} + 0.5$	V
L to GND	-0.5 to $V_{CC} + 0.5$	V
W to GND	-0.5 to $V_{CC} + 0.5$	V
Operating Ambient Temperature Commercial ('C' or Blank suffix)	0 to 70	°C
Industrial ('I' suffix)	-40 to +85	°C
Junction Temperature	+150	°C
Storage Temperature	-65 to 150	°C
Lead Soldering (10 s max)	+300	°C

Stresses exceeding those listed in the Maximum Ratings table may damage the device. If any of these limits are exceeded, device functionality should not be assumed, damage may occur and reliability may be affected.

Table 3. RELIABILITY CHARACTERISTICS

Symbol	Parameter	Test Method	Min	Typ	Max	Units
V_{ZAP} (Note 1)	ESD Susceptibility	MIL-STD-883, Test Method 3015	2000			V
I_{LTH} (Notes 1, 2)	Latch-Up	JEDEC Standard 17	100			mA
T_{DR}	Data Retention	MIL-STD-883, Test Method 1008	100			Years
N_{END}	Endurance	MIL-STD-883, Test Method 1003	1,000,000			Stores

1. This parameter is tested initially and after a design or process change that affects the parameter.
2. Latch-up protection is provided for stresses up to 100 mA on address and data pins from -1 V to $V_{CC} + 1$ V

CAT5113

Table 4. DC ELECTRICAL CHARACTERISTICS ($V_{CC} = +2.5\text{ V to }+6\text{ V}$ unless otherwise specified)

Symbol	Parameter	Conditions	Min	Typ	Max	Units
POWER SUPPLY						
V_{CC}	Operating Voltage Range		2.5	–	6.0	V
I_{CC1}	Supply Current (Increment)	$V_{CC} = 6\text{ V}, f = 1\text{ MHz}, I_W = 0$	–	–	100	μA
		$V_{CC} = 6\text{ V}, f = 250\text{ kHz}, I_W = 0$	–	–	50	μA
I_{CC2}	Supply Current (Write)	Programming, $V_{CC} = 6\text{ V}$	–	–	1000	μA
		$V_{CC} = 3\text{ V}$	–	–	500	μA
I_{SB1} (Note 3)	Supply Current (Standby)	$\overline{CS} = V_{CC} - 0.3\text{ V}$ $U/\overline{D}, \overline{INC} = V_{CC} - 0.3\text{ V}$ or GND	–	0.01	1	μA
LOGIC INPUTS						
I_{IH}	Input Leakage Current	$V_{IN} = V_{CC}$	–	–	10	μA
I_{IL}	Input Leakage Current	$V_{IN} = 0\text{ V}$	–	–	–10	μA
V_{IH2}	CMOS High Level Input Voltage	$2.5\text{ V} \leq V_{CC} \leq 6\text{ V}$	$V_{CC} \times 0.7$	–	$V_{CC} + 0.3$	V
V_{IL2}	CMOS Low Level Input Voltage		–0.3	–	$V_{CC} \times 0.2$	V
POTENTIOMETER CHARACTERISTICS						
R_{POT}	Potentiometer Resistance	–01 Device		1		k Ω
		–10 Device		10		
		–50 Device		50		
		–00 Device		100		
	Pot. Resistance Tolerance				± 20	%
V_{RH}	Voltage on R_H pin		0		V_{CC}	V
V_{RL}	Voltage on R_L pin		0		V_{CC}	V
	Resolution			1		%
INL	Integral Linearity Error	$I_W \leq 2\ \mu\text{A}$		0.5	1	LSB
DNL	Differential Linearity Error	$I_W \leq 2\ \mu\text{A}$		0.25	0.5	LSB
R_{WI}	Wiper Resistance	$V_{CC} = 5\text{ V}, I_W = 1\text{ mA}$			400	Ω
		$V_{CC} = 2.5\text{ V}, I_W = 1\text{ mA}$			1000	Ω
I_W	Wiper Current	(Note 4)	–4.4		4.4	mA
TC_{RPOT}	TC of Pot Resistance			300		ppm/ $^{\circ}\text{C}$
TC_{RATIO}	Ratiometric TC				20	ppm/ $^{\circ}\text{C}$
V_N	Noise	100 kHz / 1 kHz		8/24		nV/ $\sqrt{\text{Hz}}$
$C_H/C_L/C_W$	Potentiometer Capacitances			8/8/25		pF
fc	Frequency Response	Passive Attenuator, 10 k Ω		1.7		MHz

3. Latch-up protection is provided for stresses up to 100 mA on address and data pins from $-1\text{ V to }V_{CC} + 1\text{ V}$

4. This parameter is not 100% tested.

Table 5. AC TEST CONDITIONS

V _{CC} Range	2.5 V ≤ V _{CC} ≤ 6 V
Input Pulse Levels	0.2 V _{CC} to 0.7 V _{CC}
Input Rise and Fall Times	10 ns
Input Reference Levels	0.5 V _{CC}

Table 6. AC OPERATING CHARACTERISTICS (V_{CC} = +2.5 V to +6.0 V, V_H = V_{CC}, V_L = 0 V, unless otherwise specified)

Symbol	Parameter	Min	Typ (Note 5)	Max	Units
t _{CI}	CS to INC Setup	100	-	-	ns
t _{DI}	U/D to INC Setup	50	-	-	ns
t _{ID}	U/D to INC Hold	100	-	-	ns
t _{IL}	INC LOW Period	250	-	-	ns
t _{IH}	INC HIGH Period	250	-	-	ns
t _{IC}	INC Inactive to CS Inactive	1	-	-	μs
t _{CPH}	CS Deselect Time (NO STORE)	100	-	-	ns
t _{CPH}	CS Deselect Time (STORE)	10	-	-	ms
t _{IW}	INC to V _{OUT} Change	-	1	5	μs
t _{CYC}	INC Cycle Time	1	-	-	μs
t _R , t _F (Note 6)	INC Input Rise and Fall Time	-	-	500	μs
t _{PU} (Note 6)	Power-up to Wiper Stable	-	-	1	ms
t _{WR}	Store Cycle	-	5	10	ms

5. Typical values are for T_A = 25°C and nominal supply voltage.

6. This parameter is periodically sampled and not 100% tested.

7. MI in the A.C. Timing diagram refers to the minimum incremental change in the W output due to a change in the wiper position.

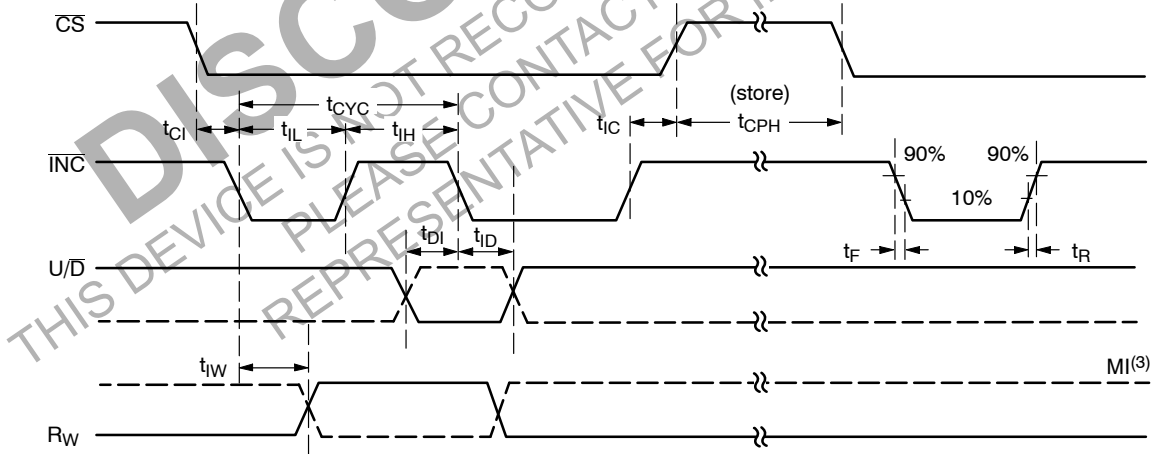


Figure 4. A.C. Timing

CAT5113

APPLICATIONS INFORMATION

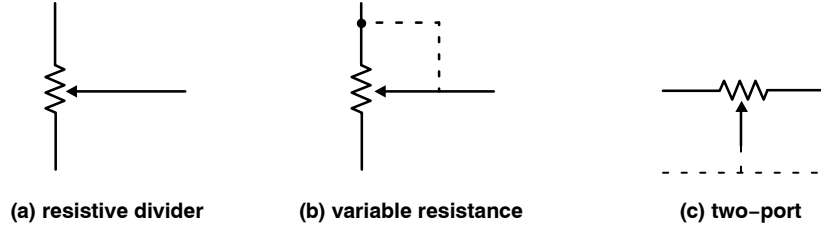


Figure 5. Potentiometer Configuration

Applications

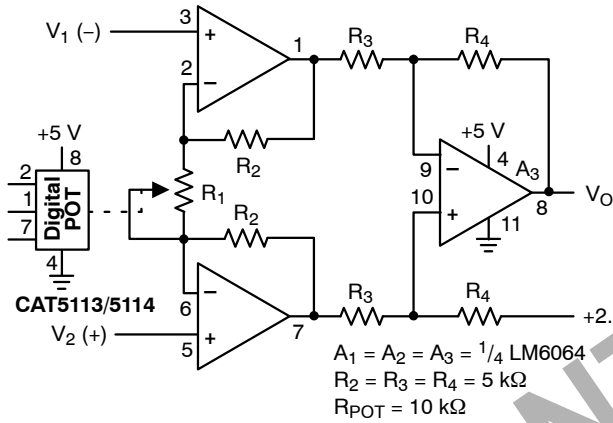


Figure 6. Programmable Instrumentation Amplifier

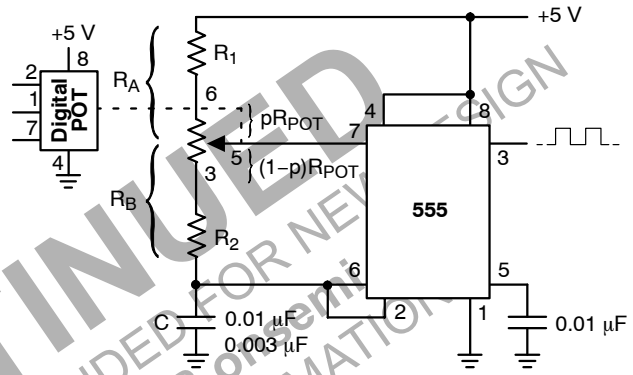


Figure 7. Programmable Sq. Wave Oscillator (555)

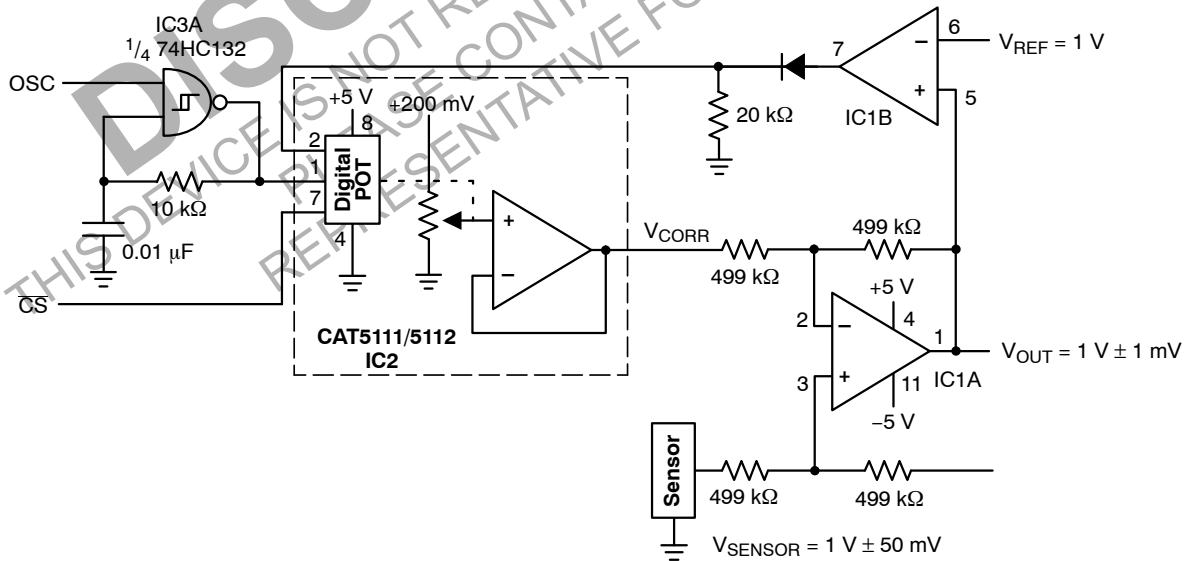


Figure 8. Sensor Auto Referencing Circuit

CAT5113

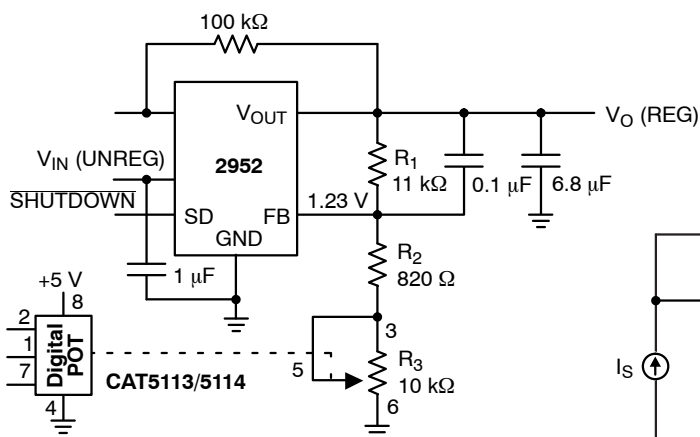


Figure 9. Programmable Voltage Regulator

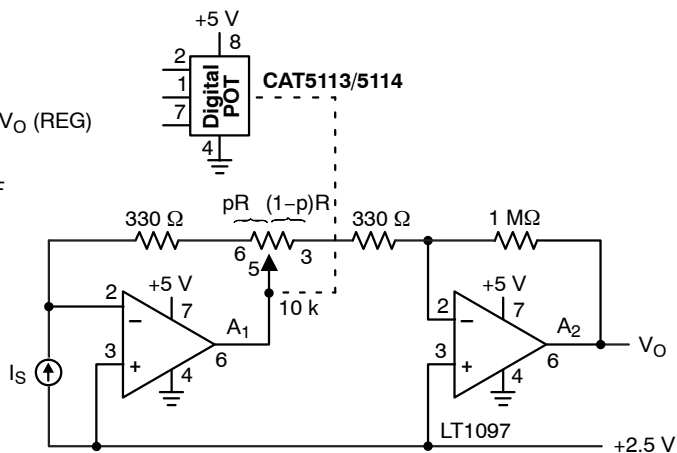


Figure 10. Programmable I to V Converter

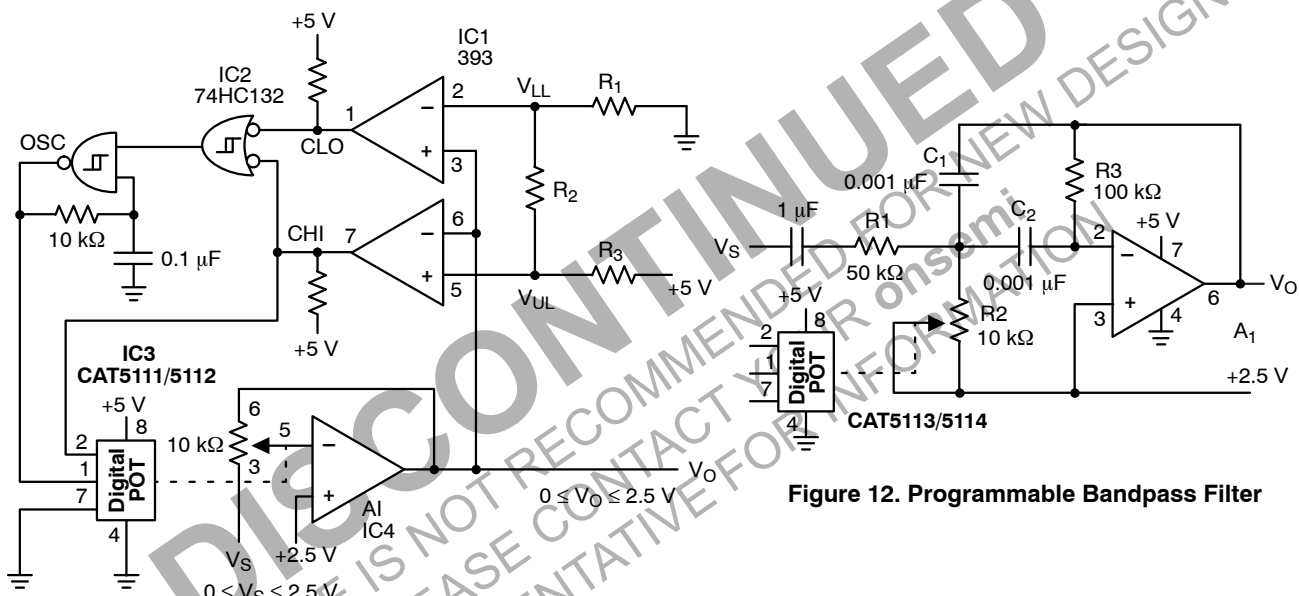


Figure 11. Automatic Gain Control

Figure 12. Programmable Bandpass Filter

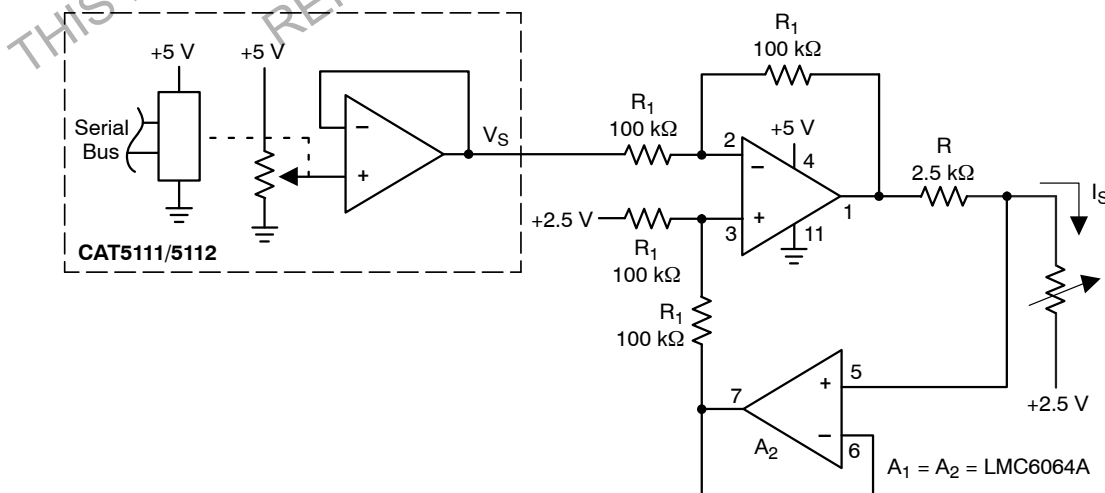


Figure 13. Programmable Current Source/Sink

CAT5113

Table 7. ORDERING INFORMATION

Orderable Part Number	Resistance (kΩ)	Lead Finish	Package-Pins	Shipping†
CAT5113LI-01-G	1	NiPdAu	PDIP-8 (Pb-Free)	50 Units / Rail
CAT5113LI-10-G	10			
CAT5113LI-50-G	50			
CAT5113LI-00-G	100			
CAT5113VI-01-GT3	1	NiPdAu	SOIC-8 (Pb-Free)	3000 / Tape & Reel
CAT5113VI-10-GT3	10			
CAT5113VI-50-GT3	50			
CAT5113VI-00-GT3	100			
CAT5113YI-01-GT3	1	NiPdAu	TSSOP-8 (Pb-Free)	3000 / Tape & Reel
CAT5113YI-10-GT3	10			
CAT5113YI-50-GT3	50			
CAT5113YI-00-GT3	100			
CAT5113ZI-01-T3	1	Matte-Tin	MSOP-8 (Pb-Free)	3000 / Tape & Reel
CAT5113ZI-10-T3	10			
CAT5113ZI-50-T3	50			
CAT5113ZI-00-T3	100			

†For information on tape and reel specifications, including part orientation and tape sizes, please refer to our Tape and Reel Packaging Specifications Brochure, BRD8011/D.

8. All packages are RoHS-compliant (Pb-Free, Halogen-Free).

9. The standard lead finish is NiPdAu, except MSOP package is Matte-Tin.

10. Contact factory for Matte-Tin finish availability for PDIP, SOIC and TSSOP packages.

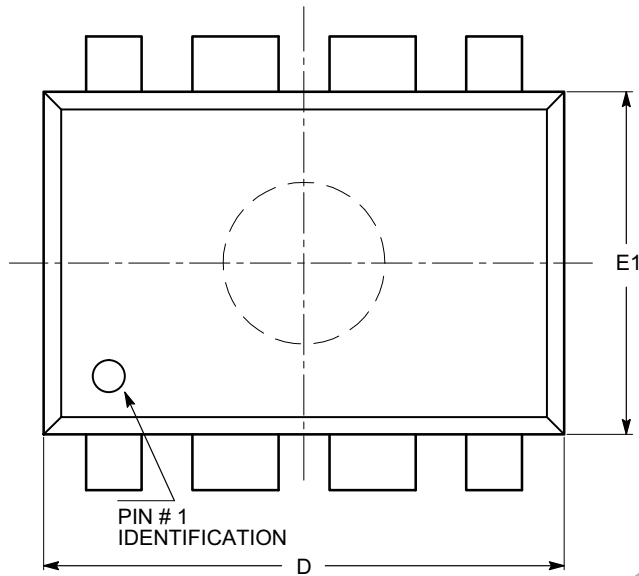
DISCONTINUED

THIS DEVICE IS NOT RECOMMENDED FOR NEW DESIGN
PLEASE CONTACT YOUR onsemi
REPRESENTATIVE FOR INFORMATION

CAT5113

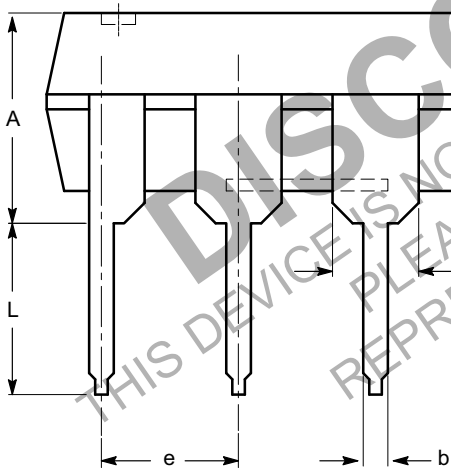
PACKAGE DIMENSIONS

PDIP-8, 300 mils
CASE 646AA
ISSUE A

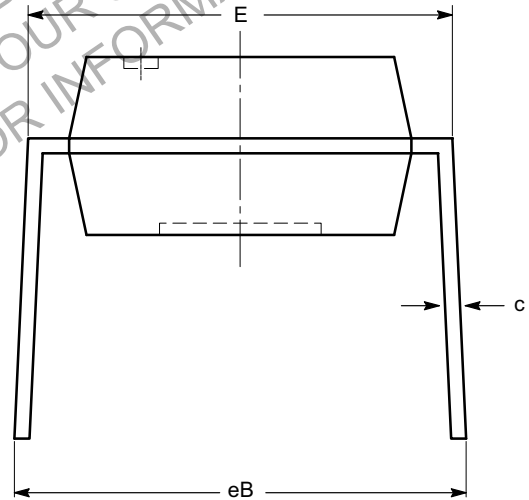


SYMBOL	MIN	NOM	MAX
A			5.33
A1	0.38		
A2	2.92	3.30	4.95
b	0.36	0.46	0.56
b2	1.14	1.52	1.78
c	0.20	0.25	0.36
D	9.02	9.27	10.16
E	7.62	7.87	8.25
E1	6.10	6.35	7.11
e	2.54 BSC		
eB	7.87		10.92
L	2.92	3.30	3.80

TOP VIEW



SIDE VIEW



END VIEW

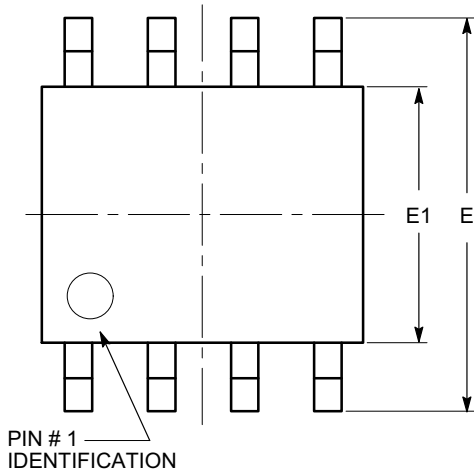
Notes:

- (1) All dimensions are in millimeters.
- (2) Complies with JEDEC MS-001.

CAT5113

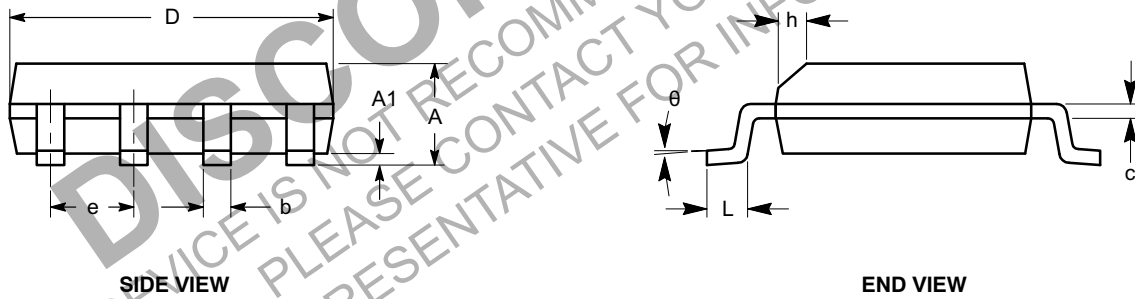
PACKAGE DIMENSIONS

SOIC 8, 150 mils
CASE 751BD
ISSUE O



TOP VIEW

SYMBOL	MIN	NOM	MAX
A	1.35		1.75
A1	0.10		0.25
b	0.33		0.51
c	0.19		0.25
D	4.80		5.00
E	5.80		6.20
E1	3.80		4.00
e	1.27 BSC		
h	0.25		0.50
L	0.40		1.27
θ	0°		8°



SIDE VIEW

END VIEW

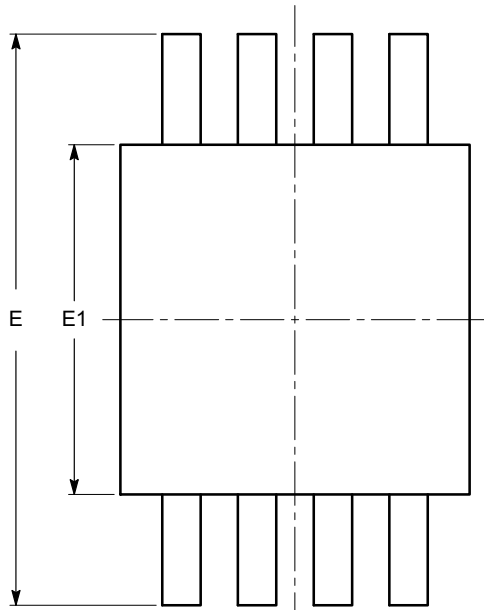
Notes:

- (1) All dimensions are in millimeters. Angles in degrees.
- (2) Complies with JEDEC MS-012.

CAT5113

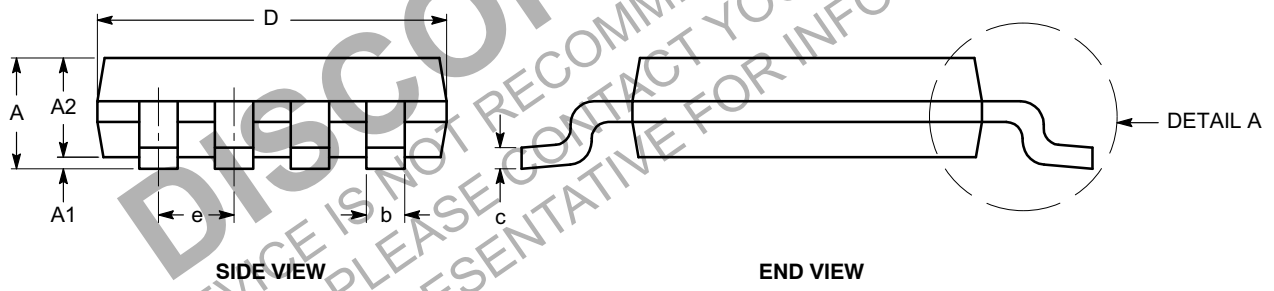
PACKAGE DIMENSIONS

MSOP 8, 3x3
CASE 846AD
ISSUE O



TOP VIEW

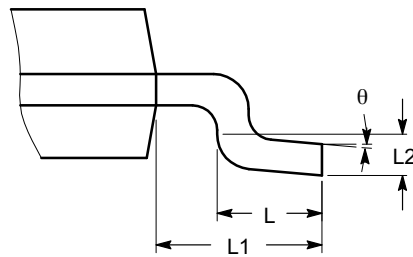
SYMBOL	MIN	NOM	MAX
A			1.10
A1	0.05	0.10	0.15
A2	0.75	0.85	0.95
b	0.22		0.38
c	0.13		0.23
D	2.90	3.00	3.10
E	4.80	4.90	5.00
E1	2.90	3.00	3.10
e		0.65 BSC	
L	0.40	0.60	0.80
L1		0.95 REF	
L2		0.25 BSC	
θ	0°		6°



SIDE VIEW

END VIEW

DETAIL A



DETAIL A

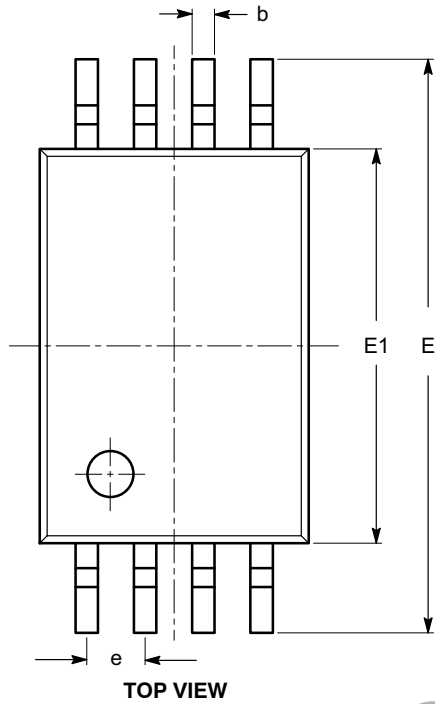
Notes:

- (1) All dimensions are in millimeters. Angles in degrees.
- (2) Complies with JEDEC MO-187.

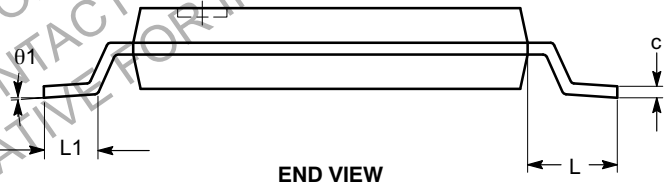
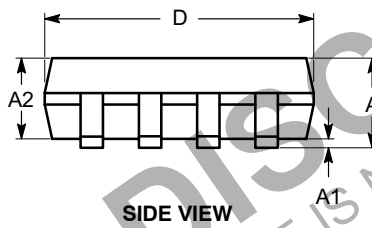
CAT5113

PACKAGE DIMENSIONS

TSSOP8, 4.4x3
CASE 948AL
ISSUE O



SYMBOL	MIN	NOM	MAX
A			1.20
A1	0.05		0.15
A2	0.80	0.90	1.05
b	0.19		0.30
c	0.09		0.20
D	2.90	3.00	3.10
E	6.30	6.40	6.50
E1	4.30	4.40	4.50
e	0.65 BSC		
L	1.00 REF		
L1	0.50	0.60	0.75
θ	0°		8°



Notes:

- (1) All dimensions are in millimeters. Angles in degrees.
- (2) Complies with JEDEC MO-153.

DISCONTINUED
 THIS DEVICE IS NOT RECOMMENDED FOR NEW DESIGN
 PLEASE CONTACT YOUR onsemi
 REPRESENTATIVE FOR INFORMATION

onsemi, **Onsemi**, and other names, marks, and brands are registered and/or common law trademarks of Semiconductor Components Industries, LLC dba "**onsemi**" or its affiliates and/or subsidiaries in the United States and/or other countries. **onsemi** owns the rights to a number of patents, trademarks, copyrights, trade secrets, and other intellectual property. A listing of **onsemi**'s product/patent coverage may be accessed at www.onsemi.com/site/pdf/Patent-Marking.pdf. **onsemi** reserves the right to make changes at any time to any products or information herein, without notice. The information herein is provided "as-is" and **onsemi** makes no warranty, representation or guarantee regarding the accuracy of the information, product features, availability, functionality, or suitability of its products for any particular purpose, nor does **onsemi** assume any liability arising out of the application or use of any product or circuit, and specifically disclaims any and all liability, including without limitation special, consequential or incidental damages. Buyer is responsible for its products and applications using **onsemi** products, including compliance with all laws, regulations and safety requirements or standards, regardless of any support or applications information provided by **onsemi**. "Typical" parameters which may be provided in **onsemi** data sheets and/or specifications can and do vary in different applications and actual performance may vary over time. All operating parameters, including "Typicals" must be validated for each customer application by customer's technical experts. **onsemi** does not convey any license under any of its intellectual property rights nor the rights of others. **onsemi** products are not designed, intended, or authorized for use as a critical component in life support systems or any FDA Class 3 medical devices or medical devices with a same or similar classification in a foreign jurisdiction or any devices intended for implantation in the human body. Should Buyer purchase or use **onsemi** products for any such unintended or unauthorized application, Buyer shall indemnify and hold **onsemi** and its officers, employees, subsidiaries, affiliates, and distributors harmless against all claims, costs, damages, and expenses, and reasonable attorney fees arising out of, directly or indirectly, any claim of personal injury or death associated with such unintended or unauthorized use, even if such claim alleges that **onsemi** was negligent regarding the design or manufacture of the part. **onsemi** is an Equal Opportunity/Affirmative Action Employer. This literature is subject to all applicable copyright laws and is not for resale in any manner.

PUBLICATION ORDERING INFORMATION

LITERATURE FULFILLMENT:

Email Requests to: orderlit@onsemi.com

onsemi Website: www.onsemi.com

TECHNICAL SUPPORT

North American Technical Support:

Voice Mail: 1 800-282-9855 Toll Free USA/Canada

Phone: 011 421 33 790 2910

Europe, Middle East and Africa Technical Support:

Phone: 00421 33 790 2910

For additional information, please contact your local Sales Representative